

ME6401 Series Low ESR Cap Compatible Positive Voltage Regulators

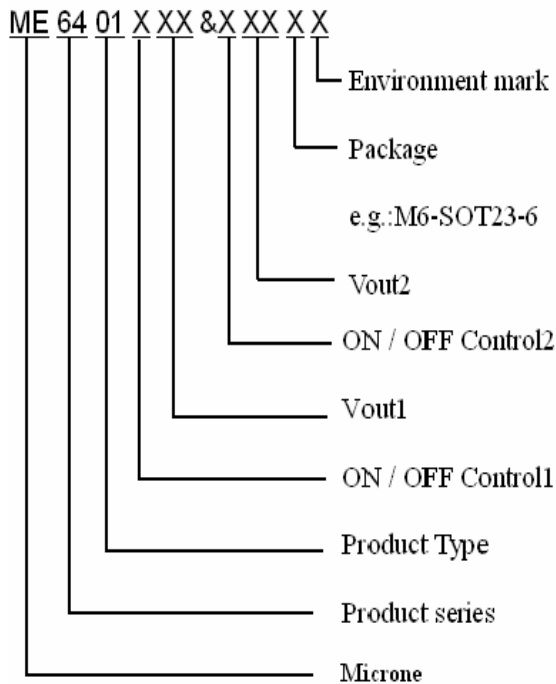
ME6401 series are highly precise, low power consumption, high voltage, positive voltage regulators manufactured using CMOS and laser trimming technologies. The series provides large currents with a significantly small dropout voltage.

The series is compatible with low ESR ceramic capacitors. The current limiter's foldback circuit also operates as a short protect for the output current limiter and the output pin.

FEATURES

- Highly Accurate: $\pm 2\%$
- Output voltage range: 1.2V~5.0V
- Low power consumption: Typ. =90 μ A
- Large output current : More than 450mA (Vout=2.8V)
- Dropout voltage:
200mV at 100mA and 400mV at 200mA;
- Highly Accurate y: $\pm 2\%$
- Be available to regulator and reference voltage
- Packages: SOT23-6

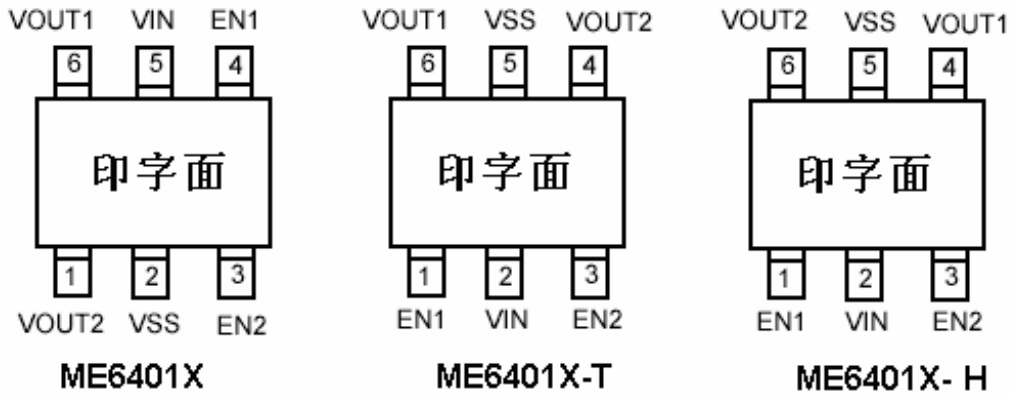
Selection Guide



APPLICATIONS

- Battery powered equipment;
- Communication tools;
- Mobile phones;
- Portable games;
- Portable AV systems;
- Cameras, Video systems;
- Reference voltage sources。

PIN CONFIGURATION



PIN ASSIGNMENT

ME6401CXX&Cxx

PIN			NAME	FUNCTION
ME6401X	ME6401X-T	ME6401X-H		
4	1	1	EN1	ON / OFF Control1
5	2	2	VIN	INPUT1
3	3	3	EN2	ON / OFF Control2
1	4	6	VOUT2	OUTPUT2
2	5	5	VSS	GROUND
6	6	4	VOUT1	OUTPUT2

Absolute Maximum Ratings

PARAMETER	SYMBOL	DESCRIPTION	UNIT
Input Voltage	V_{IN}	6.5	V
Output Current	I_{out}	700	mA
Output Voltage	V_{out}	$V_{ss}-0.3 \sim V_{out}+0.3$	V
Power Dissipation	SOT23-6	P_d	250 mW
Operating Ambient Temperature	T_{Opr}	-25 ~ +85	°C
Storage Temperature	T_{stg}	-40 ~ +125	°C
Soldering Temperature And Time	T_{solder}	260°C, 10s	

Electrical Characteristics

ME6401CXX&Cxx

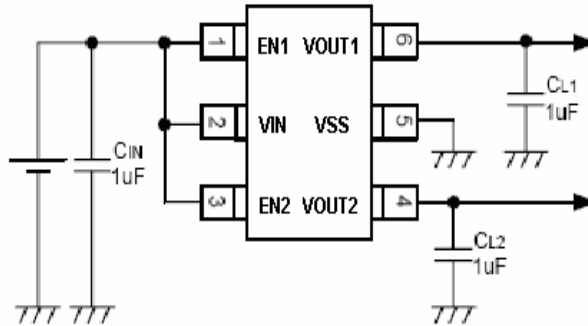
($V_{in}=V_{out}+1V, C_{in}=C_{out}=1\mu, T_a=25^{\circ}C$ Unless otherwise stated)

PARAMETER	SYMBOL	CONDITION	MIX	TYP	MAX	UNIT
Output Voltage	$V_{OUT(E)}$ (Note 2)	$I_{OUT}=10mA,$	X 0.98	$V_{OUT(T)}$ (Note 1)	X 1.02	V
Maximum Output Voltage	$I_{OUT} (max)$	$V_{OUT} (1.8V)$		300		mA
		$V_{OUT} (2.8V)$		450		mA
Load Regulation	ΔV_{OUT}	$1mA \leq I_{OUT} \leq 100mA$		9		mV
Dropout Voltage (Note 3)	V_{dif1}	$I_{OUT} = 100mA$		200		mV
	V_{dif2}	$I_{OUT} = 200mA$		400		mV
Supply Current	I_{SS}			90		μA
Stand-by Current	I_{CEL}	$V_{EN}=V_{SS}$		0.1		μA
Line Regulations	$\frac{\Delta V_{OUT}}{\Delta V_{IN} \cdot V_{OUT}}$	$I_{OUT} = 40mA$ $V_{out}+1V \leq V_{in} \leq 6V$		0.05		%/V
CE "High" Voltage	VCEH	Start up	1.0			V
CE "Low" Voltage	VCEL	Shut down			0.7	V
Power Supply Ripple Rejection Ratio	PSRR	$V_{in}=[V_{out}+1]V$ $+1V_{p-p}AC$ $I_{OUT} = 50mA, f=1kHz$		70		dB
Output noise	EN	$I_{OUT}=40mA$ $300Hz \sim 50kHz$		50		μV_{rms}
Short Circuit Current	I_{SHORT}	$V_{OUT} (1.8V) = V_{SS}$		30		mA
		$V_{OUT} (2.8V) = V_{SS}$		100		mA

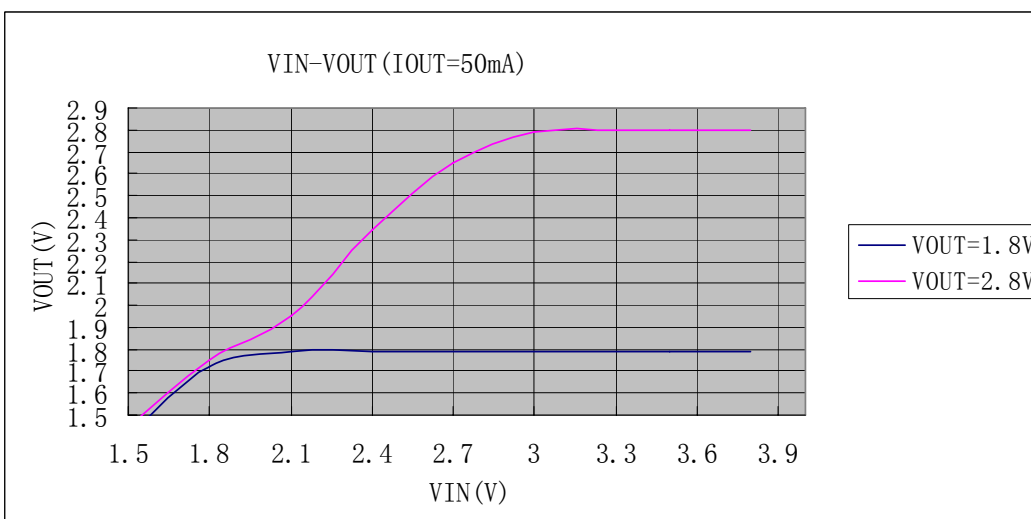
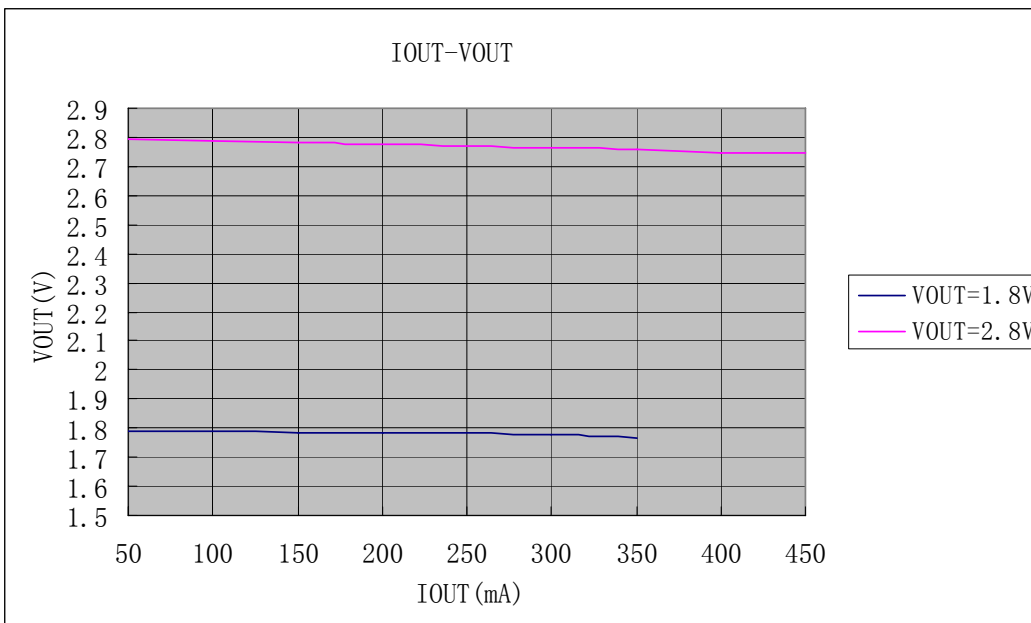
注：

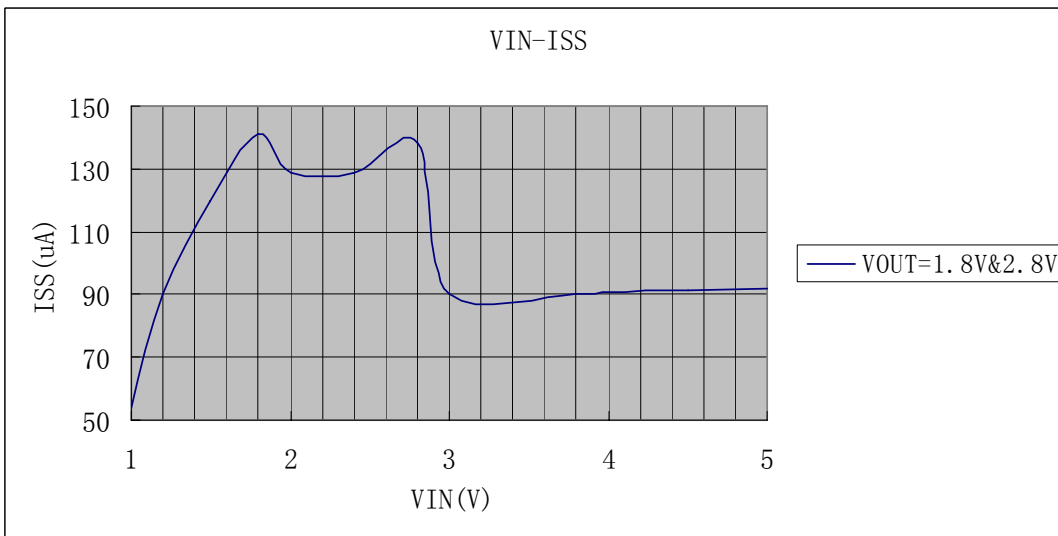
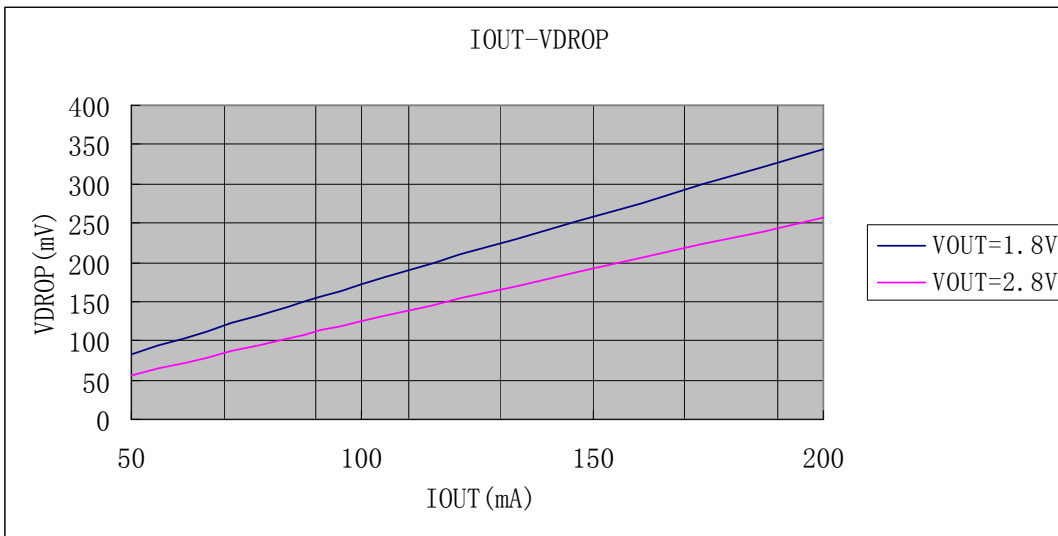
- $V_{OUT} (T)$: Specified Output Voltage
- $V_{OUT} (E)$: Effective Output Voltage (i.e. The output voltage when " $V_{OUT} (T)+1.0V$ " is provided at the V_{in} pin while maintaining a certain I_{out} value.)
- V_{dif} : $V_{IN1} - V_{OUT} (E)$
 V_{IN1} : The input voltage when $V_{OUT}(E)$ appears as input voltage is gradually decreased.
 $V_{OUT} (E)$: A voltage equal to 98% of the output voltage whenever an amply stabilized I_{out} { $V_{OUT} (T)+1.0V$ } is input.

Test Circuits

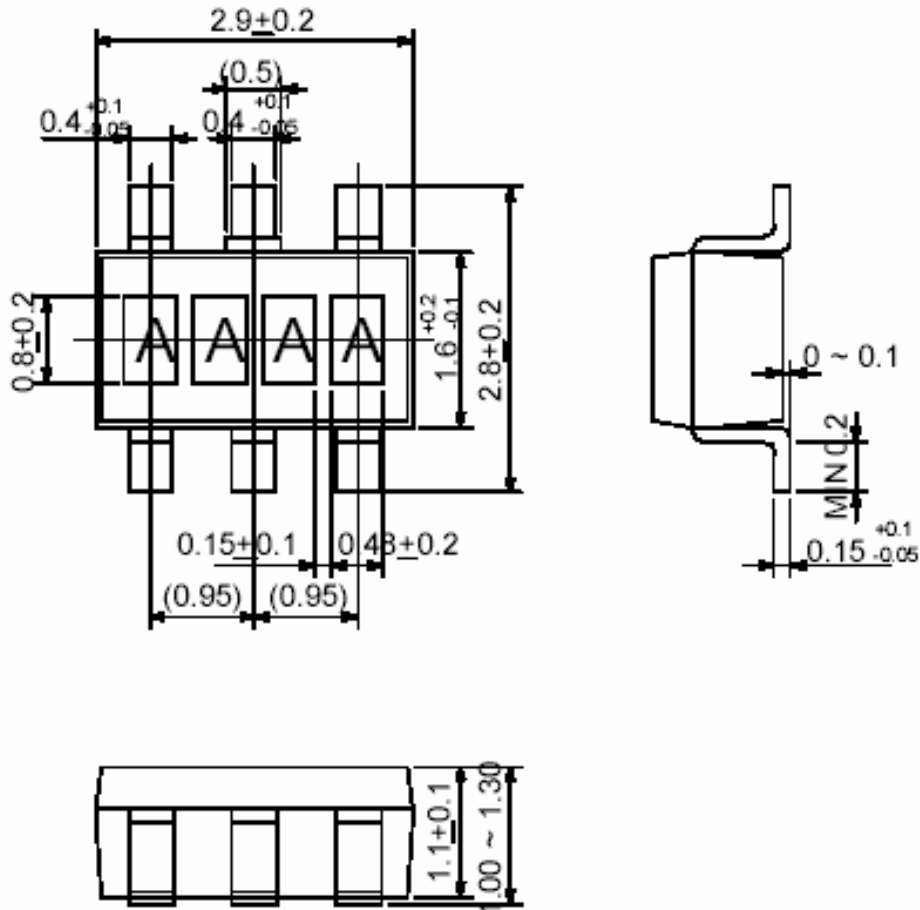


Type Characteristics





Package Dimensions



- The information described herein is subject to change without notice.
- Nanjing Micro One Electronics Inc is not responsible for any problems caused by circuits or diagrams described herein whose related industrial properties, patents, or other rights belong to third parties. The application circuit examples explain typical applications of the products, and do not guarantee the success of any specific mass-production design.
- Use of the information described herein for other purposes and/or reproduction or copying without the express permission of Nanjing Micro One Electronics Inc is strictly prohibited.
- The products described herein cannot be used as part of any device or equipment affecting the human body, such as exercise equipment, medical equipment, security systems, gas equipment, or any apparatus installed in airplanes and other vehicles, without prior written permission of Nanjing Micro One Electronics Inc.
- Although Nanjing Micro One Electronics Inc exerts the greatest possible effort to ensure high quality and reliability, the failure or malfunction of semiconductor products may occur. The user of these products should therefore give thorough consideration to safety design, including redundancy, fire-prevention measures, and malfunction prevention, to prevent any accidents, fires, or community damage that may ensue.